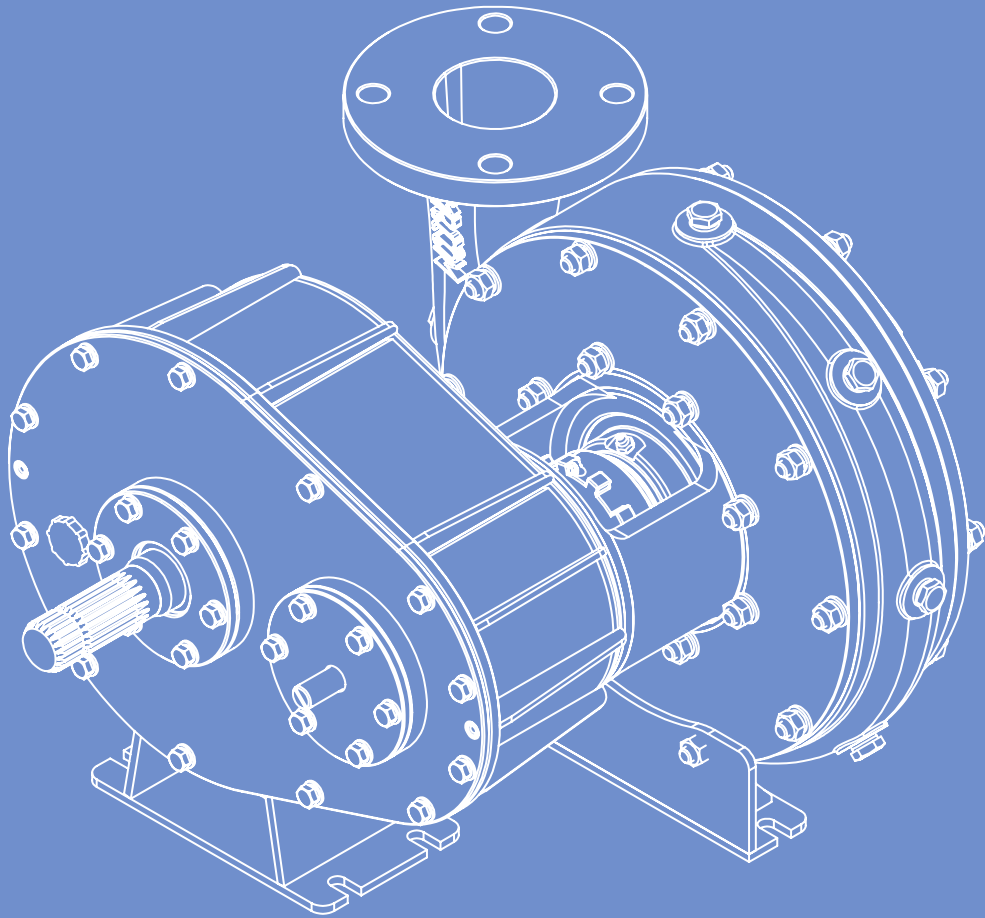


RIFLON

riflon.com



Centrifugal pumps with increase gear

NCM-76R1

CENTRIFUGAL PUMPS WITH INCREASE GEAR NCM-76R1 SERIES



The pump is driven by the PTO (power take-off shaft) of the tractor, which allows it to be used in the field and in other conditions in the absence of electricity and other energy sources.

A tractor is enough, which is almost always available on the farm.

Our pumps are suitable for MTZ 80/82 and other tractors.

For what purposes can PTO pumps be used:

- for jet and drip watering;
- for spraying devices;
- for pumping water (from reservoirs and ponds);
- for solution units of fertilizer preparation;
- for pumping manure;
- for irrigation systems, sprinklers, irrigation guns, sprinkler systems.



Technical characteristics of centrifugal pumps with increase gear NCM-76R1

Entry-hole diameter, mm	103 (4")
Outlet size, mm	76 (3")
Impeller diameter, mm	310 (12")
Maximal head, m	100
Maximal flow, m ³ /h (Lps)	180 (50)
Connecting flanges	ASME/ANSI B16,5 Class 150
Overall dimensions (LxWxH), mm	550x515x425
Weight, kg, ±3%	120
Type of shank for connecting to a tractor	1C (8 crests)
PTO rotation speed, rpm	370-1000
Maximum input power, kW (hp)	60 (81,5)
The gear ratio of the multiplier	2,7
Component materials:	
Impeller	20H13L
Other components	40HL

RIFLON

riflon.com

phone:
+1 (512) 861-19-64

e-mail: manager@rngi.net
www.rngi.net

